

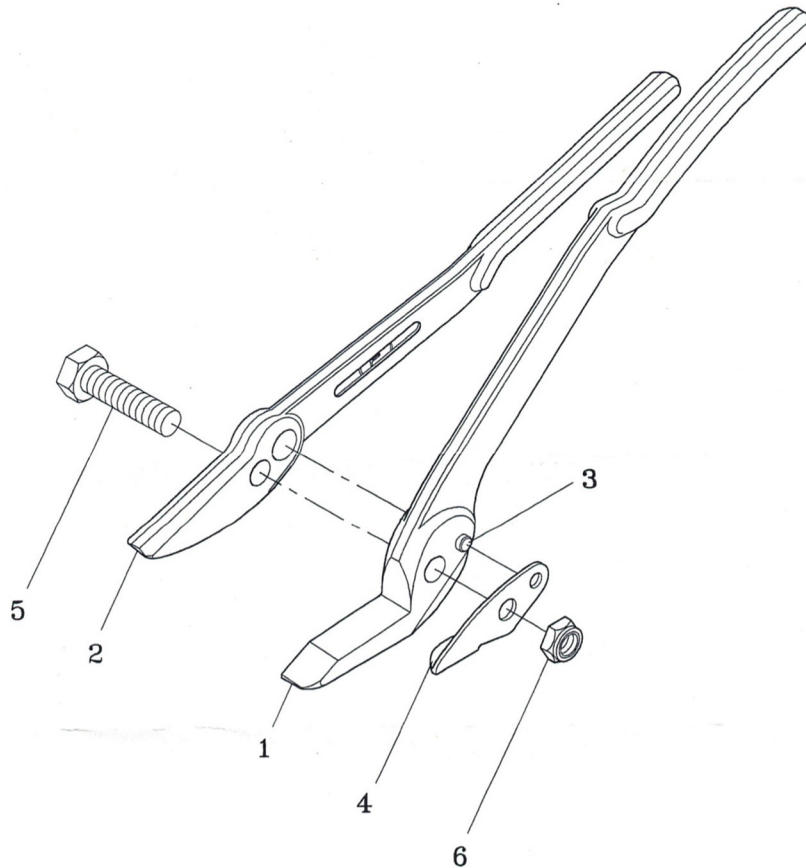


**AMERICAN STRAPPING COMPANY**

1-866-488-4272 sales@americanstrapping.com

**STEEL STRAPPING CUTTER**

**C405 UP TO 1-1/4"**



REF. NO.	PART NO.	DESCRIPTION	Q'TY
1	H16-001	Top Cutter Blade	1
2	H16-002	Bottom Cutter Blade	1
3	H16-003	Lock Pin	1

REF. NO.	PART NO.	DESCRIPTION	Q'TY
4	H16-004	Guide Plate	1
5	H16-005	Bolt	1
6	NTE10	NTE, M10	1

\* PLEASE ORDER PARTS BY PARTS NO., DESCRIPTION AND Q'TY.